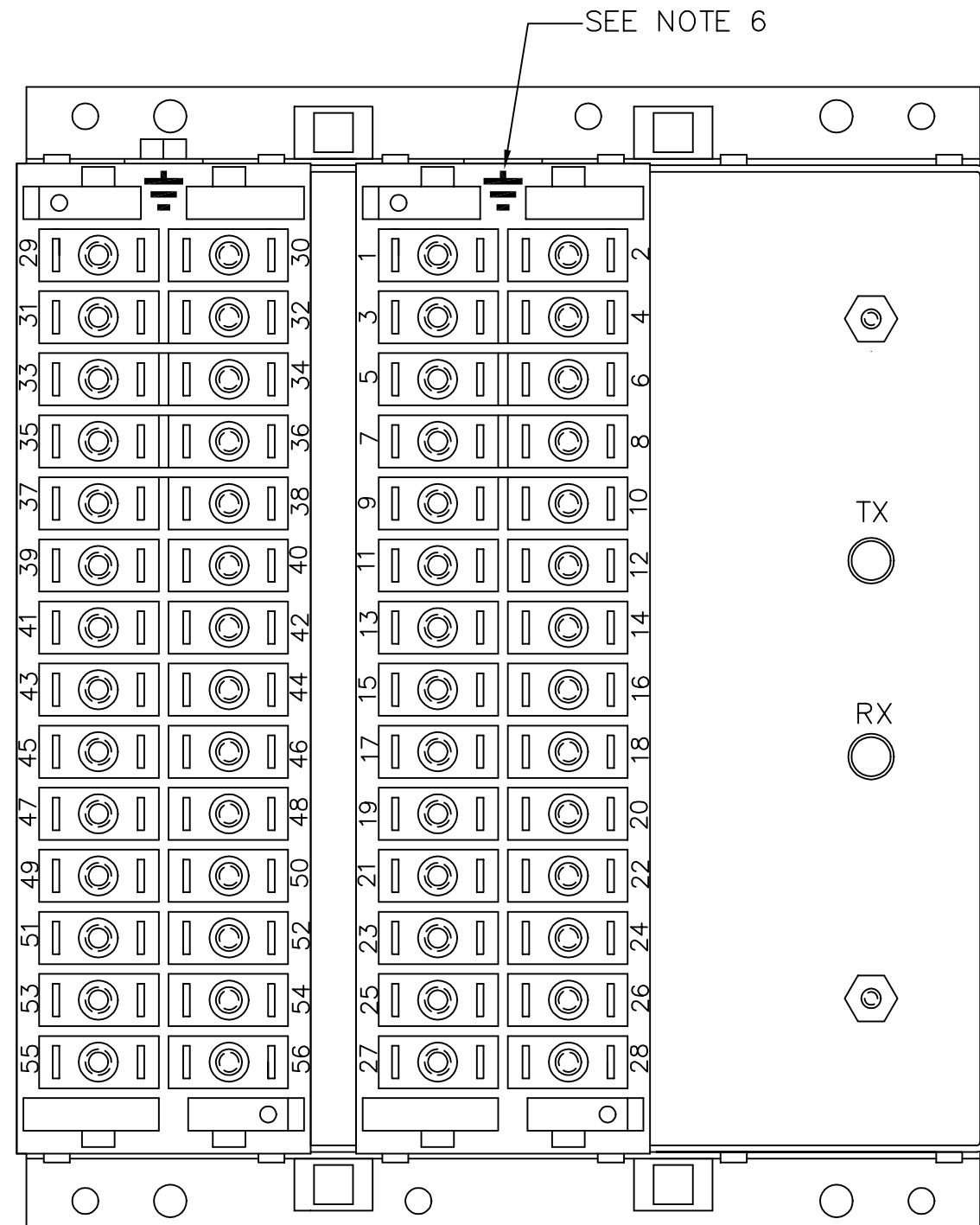
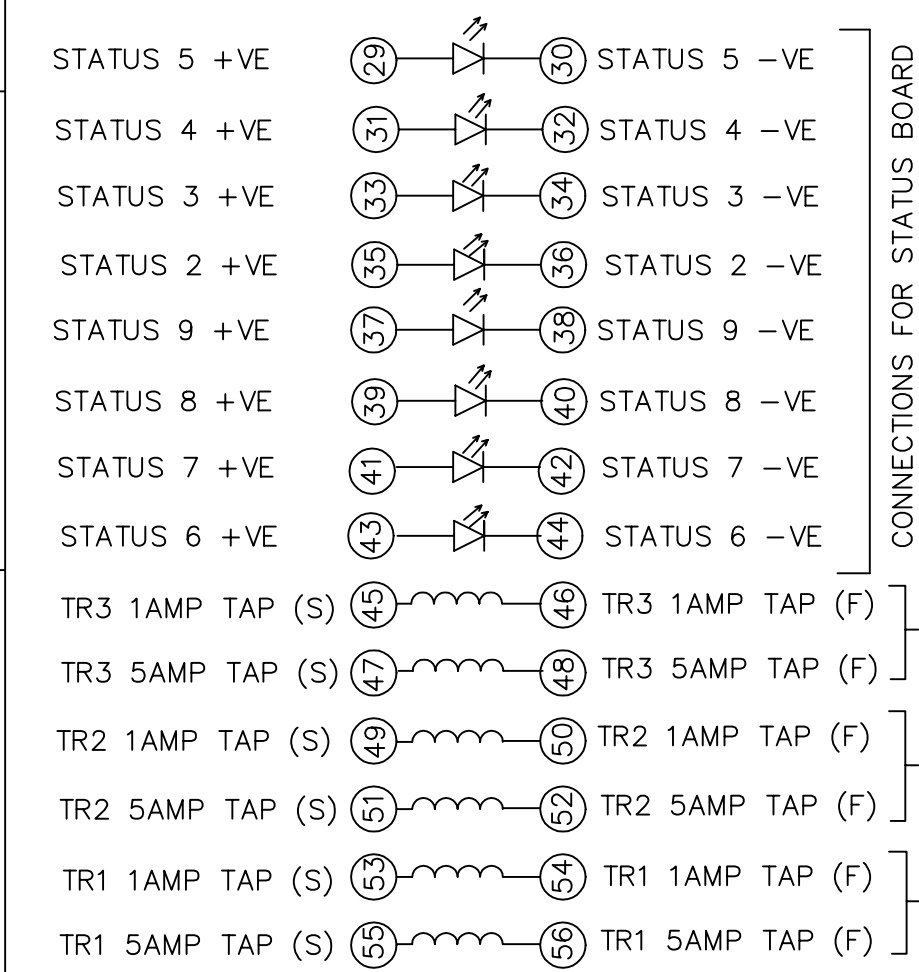


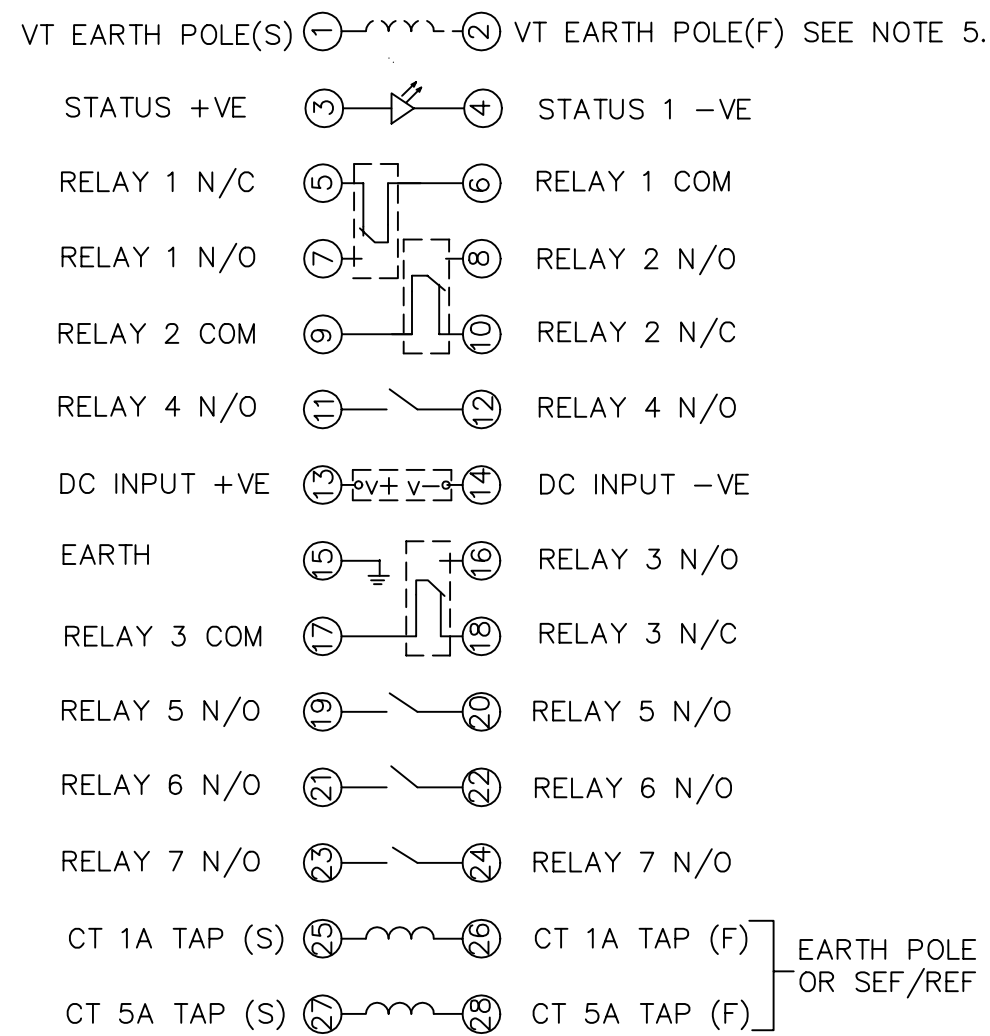
IF IN DOUBT ASK
DO NOT SCALE

| PROTECTION TYPE | SCHEMATIC DIAGRAM |
|---------------------|-------------------|
| 3 PHASE+EARTH | 2716W10001 (A3) |
| 3 PHASE+SEF | 2716W10002 (A3) |
| 2 PHASE+EARTH+SEF | |
| PROTECTION TYPE | SCHEMATIC DIAGRAM |
| 3 PHASE+(DIR) EARTH | 2716W10006 (A3) |

NOTES
 1 FOR R6 BOX ASSY SEE 2434H10002 (A1)
 2 TERMINALS RECOMMENDED ARE PRE INSULATED & MUST BE CRIMPED USING APPROVED TOOLING. AMP PIDG OR PLASTI GRIP FUNNEL ENTRY (RING TONGUE) FOR M4 FIXING STUD.
 SUPPLIER AMP CABLE SIZE
 AMP 342103 0.25-1.6 SQ MM
 AMP 342143 1.0-2.6 SQ MM.
 OR ANY OTHER MANUFACTURERS EQUIVALENT TERMINAL.
 3 FOR OUTLINE & DRILLING DRG SEE 2434X10001 (A4).
 4 PROTECTIVE CAPS TAKEN FROM FIBRE OPTIC CONNECTORS MAY BE RETAINED ON COMMS INTERFACE FIXING NUTS.
 5 RELAYS WITH DIRECTIONAL E/F POLE,BUT NON DIRECTIONAL P/F ARE HOUSED IN R6 CASES,(SEE TERMINALS 1&2).
 6 EARTH SYMBOL TO BE BLANKED OUT ON CONNECTOR THAT DOES NOT HAVE EARTH SCREW FITTED.



BOX VIEWED FROM REAR



NOT SUBJECT TO UPDATE
ONCE COPIED / PRINTED
OR DOWNLOADED

| | | | | | | | | | | | |
|--|--|-----------------|--|---------------------|--|----------------|--|-------------------|--|--------------|--|
| MATERIAL: | | Copyright © | | Reyrolle Ltd. | | 1 | | 1/4/98 | | CHANGE NOTED | |
| Dimensions in millimetres ; Surface texture in micrometres. Machine where marked ✓ For explanation of dimensions, tolerances, notes etc. see B.S.308. Limit on untoleranced unmachined dimensions ± Limits on untoleranced machined dimensions to B.S.4500; i.e. up to 6±0.1; over 30 to 120±0.3; over 315±0.8; over 6 to 30±0.2; over 120 to 315±0.5; General unmachined angular tolerance ± | | Finish: | | Title: | | First used on: | | Similar Articles: | | Supersedes: | |
| DRAWN M LEASK | | CHECKED | | APPROVED R.D.WATSON | | DATE 24/07/02 | | IE | | OPS | |
| Reyrolle Protection Hebburn. | | Original Scale. | | 1:1 | | Drg. No. | | 2716W20001 | | A2 | |
| EAC | | CE | | STD | | TQ | | Purch.Spec. | | EAC | |